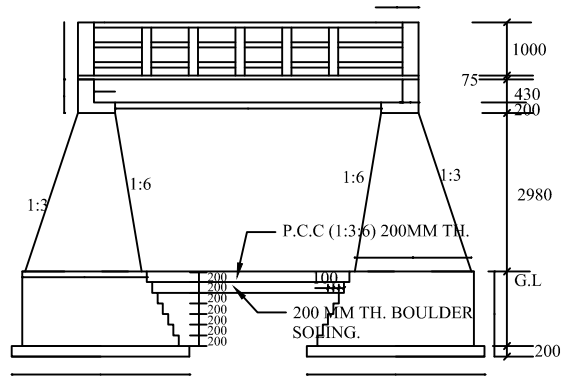
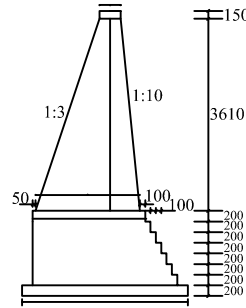


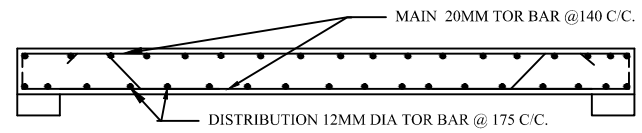
DETAILS DRAWING OF SLAB CULVERT



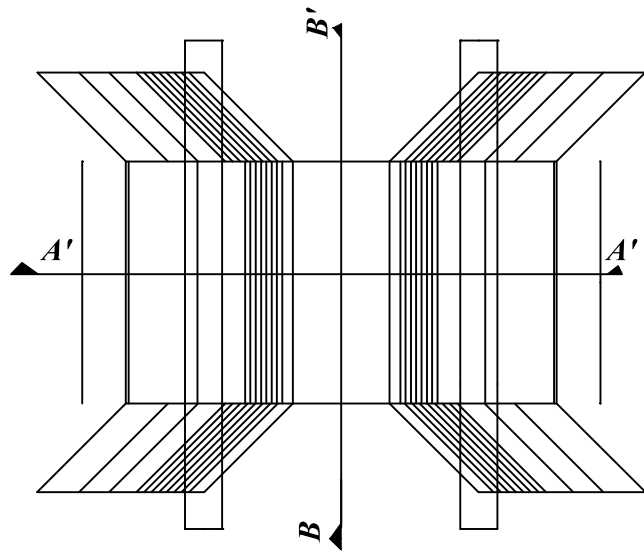
SECTION ON-AA'



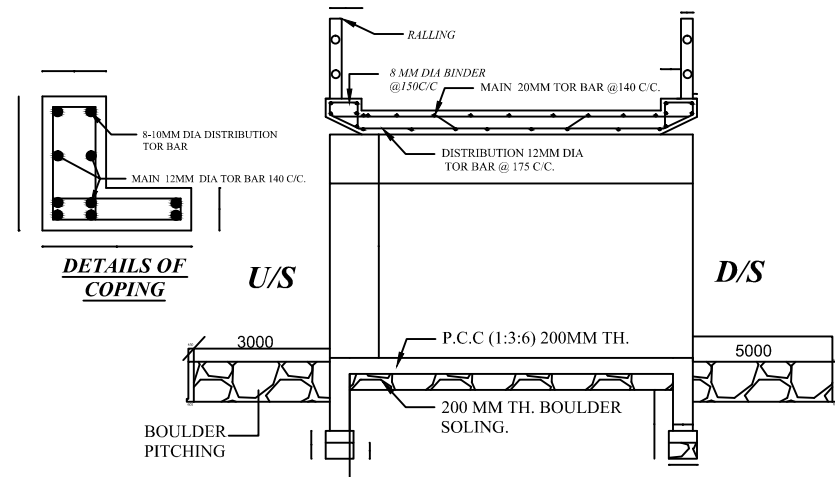
DETAILS OF RETURN WALL



DETAILS OF SLAB REINFORCEMENT



PLAN



SECTION OF -BB'

DETAILS OF COPING

U/S

D/S