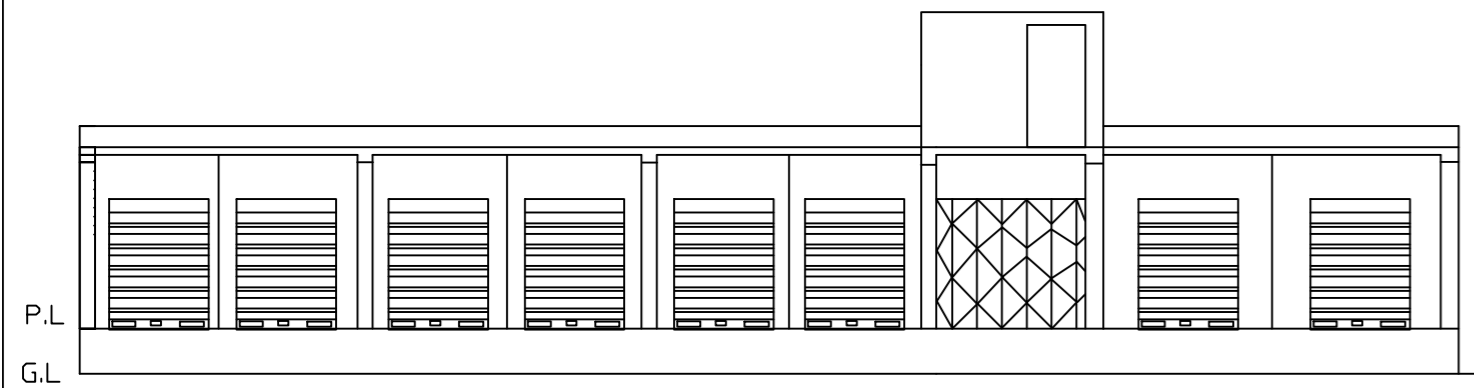
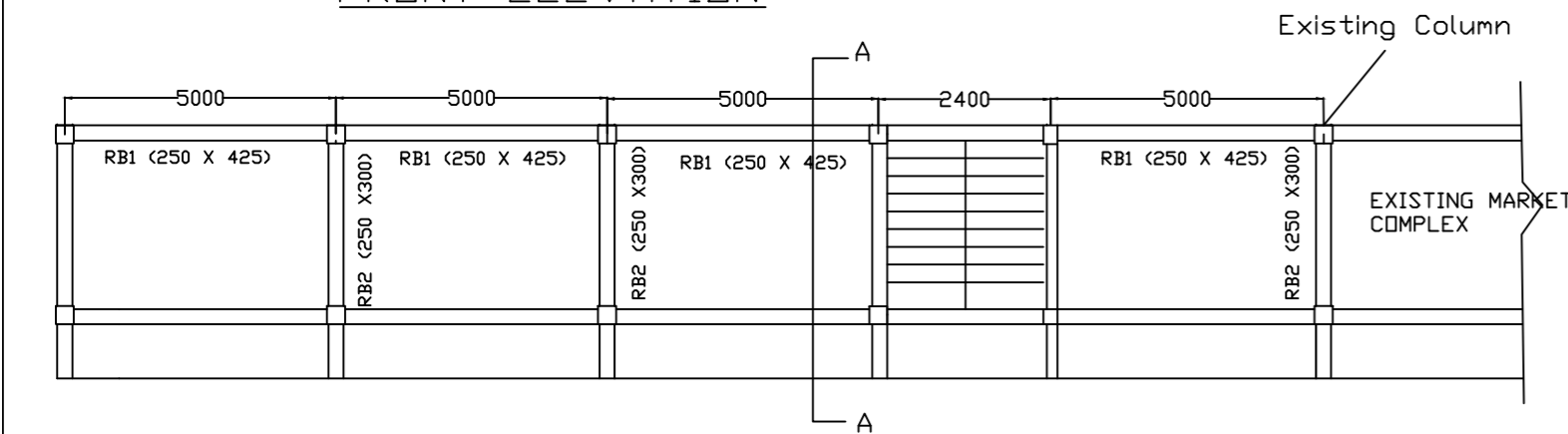


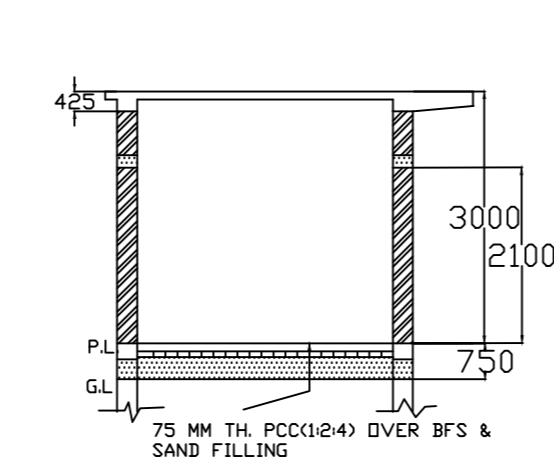
# PROPOSED DRAWING FOR CONSTRUCTION OF MARKET COMPLEX.



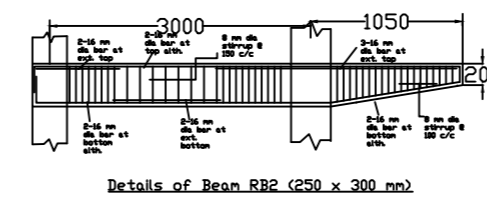
FRONT ELEVATION



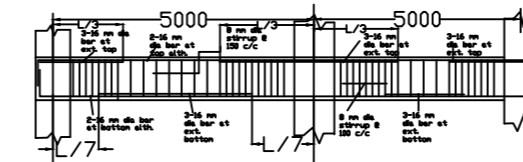
ROOF BEAM DETAILS  
SLAB THICK. = 125 MM



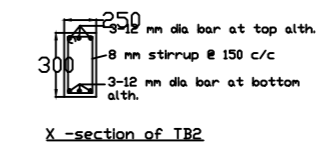
CROSS SECTION OF -A-A



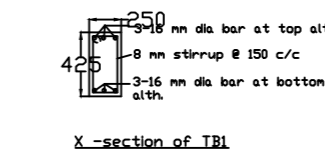
Details of Beam RB2 (250 x 300 mm)



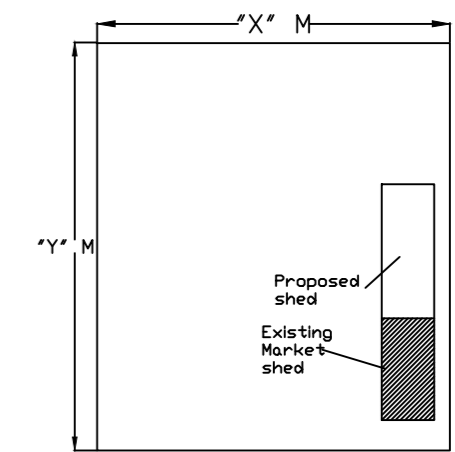
Details of Beam RB1 (250 x 425 mm)



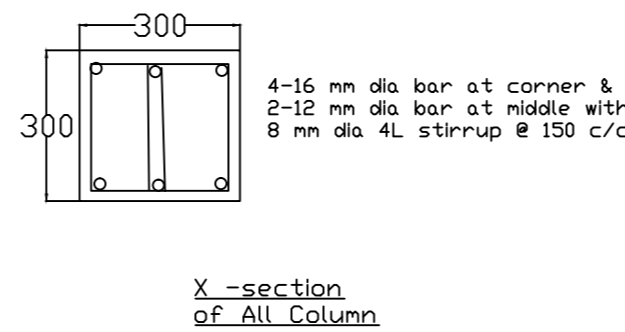
X-section of TB2



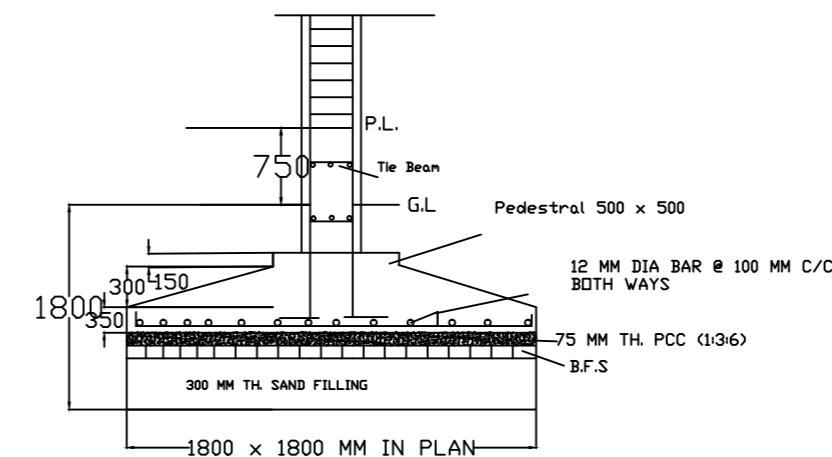
X-section of TB1



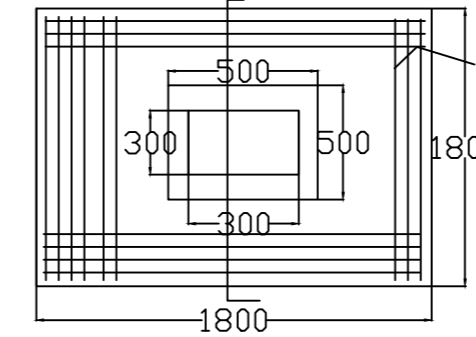
SITE PLAN



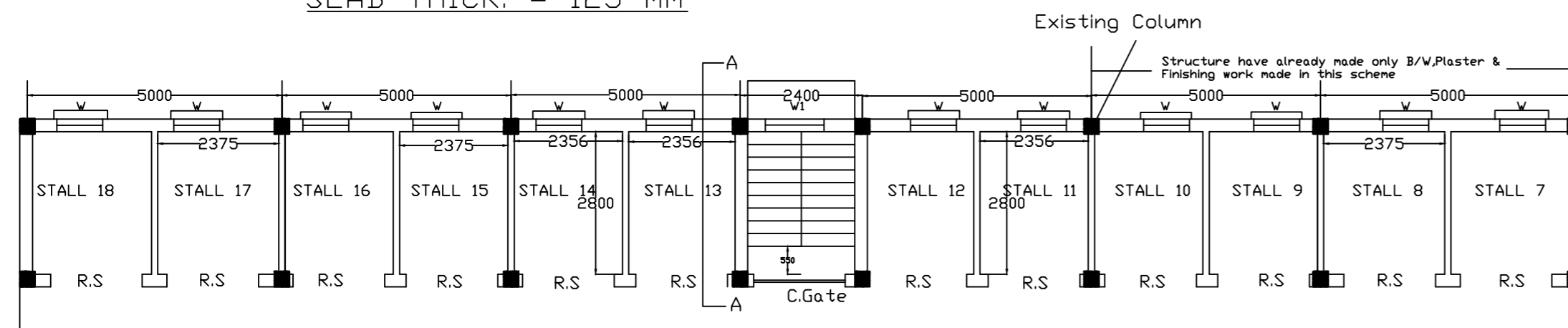
X-section of All Column



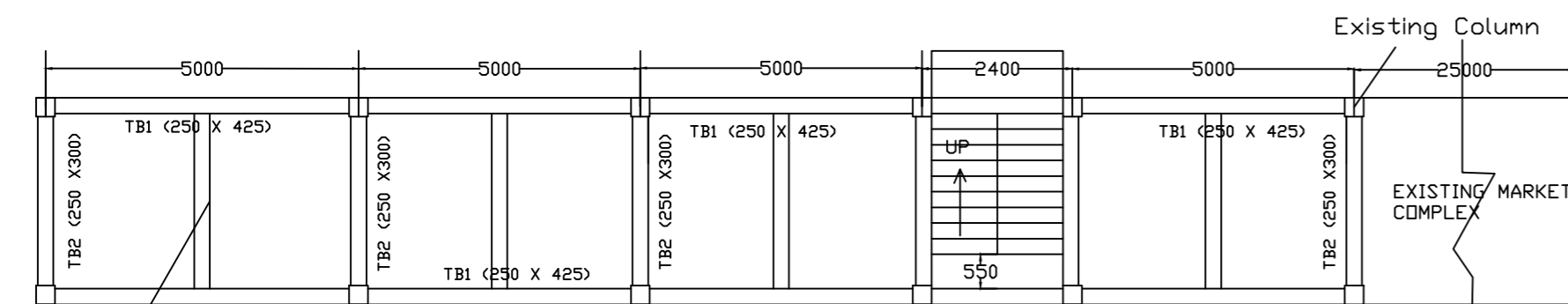
DETAILS OF COLUMN FOOTING (COL. 300 X 300)



X SECTIONAL PLAN OF COLUMN FOOTING

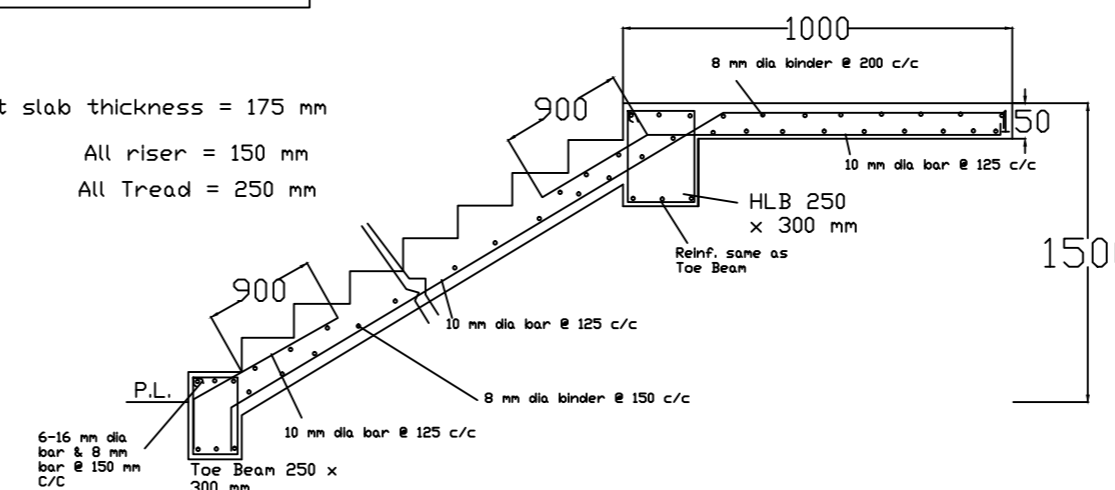


ARCHITECTURAL PLAN

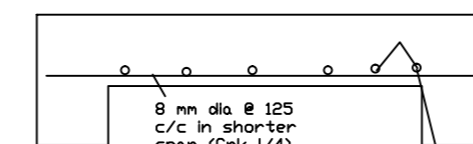


Floor Beam 250 x 300 mm at PL  
TIE BEAM DETAILS

Waist slab thickness = 175 mm  
All riser = 150 mm  
All Tread = 250 mm



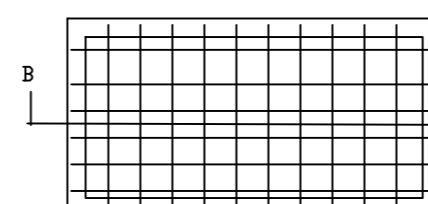
DETAILS OF WAIST SLAB (Width 1050 mm)



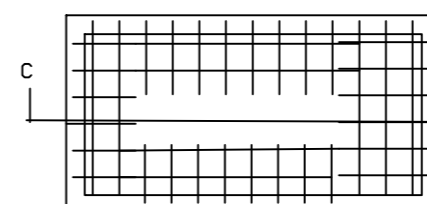
Slab Thk = 125 mm (Sec-B-B)



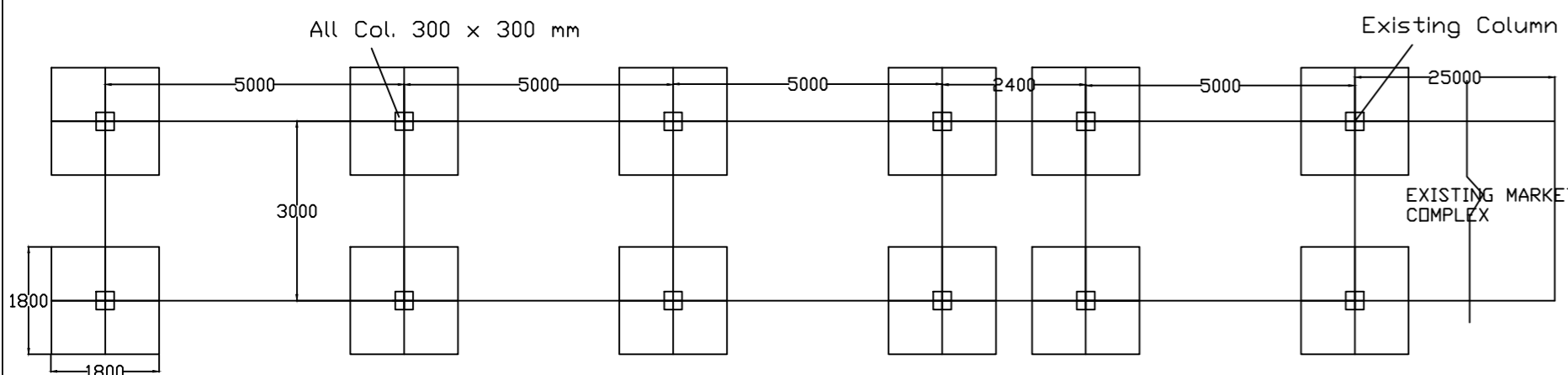
Slab Thk = 125 mm (Sec-C-C)



Slab bottom Reinf. Plan



Slab top Reinf. Plan



Column layout

## NOTE

- 1) All Dimensions are in MM unless otherwise mentioned
- 2) All RCC Grade of M-20 & Steel of Fe-415
- 3) Only Stall No.-11 to 20 new construction & Stall No.-7 to 10 structural work already done only finishing work consider in this scheme

## SCHEDULE OF DOOR & WINDOW

Mark	Description	Width	Height
W	Window	900	900
W1	Window	1200	900
RS	Rolling Shutter	1500	2100
C.G	Collapsible gate	1800	2100

## Slab Reinforcement details :

- 1) 8 mm dia @ 125 c/c alternative Crank in shorter span (Ck-L/4)
- 2) 8 mm dia @ 150 c/c alternative crank in longer span (Ck L/4)
- 3) 8 mm dia ext top as usual (L/3)
- 4) 8 mm dia binder @ 250 c/c