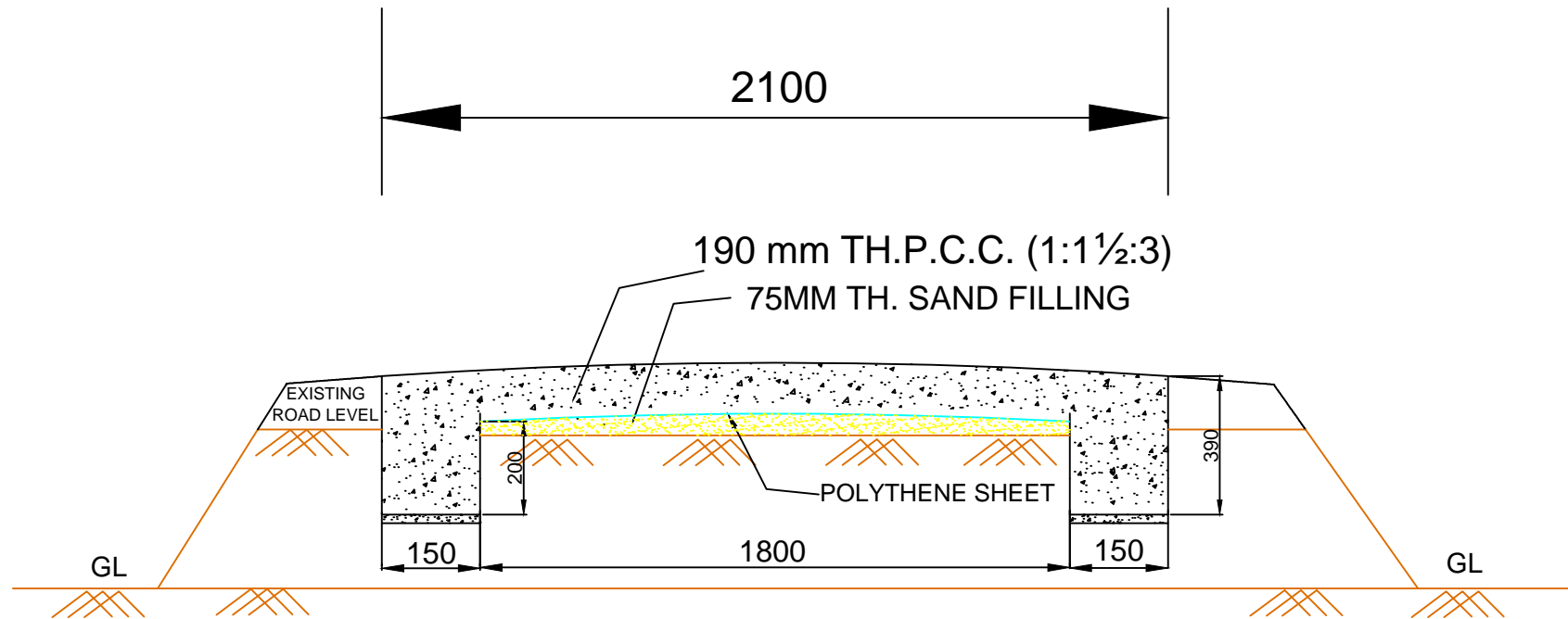


PROPOSED DRAWING FOR CONSTRUCTION OF CONCRETE ROAD



CROSS - SECTION OF ROAD

NOT TO SCALE